

SHEET 1 OF 2  
1:250@A1;1:500@A3

SHEET 2 OF 2  
1:250@A1;1:500@A3

**NOTES**

- ALL DIMENSIONS ARE IN METRES UNLESS NOTED OTHERWISE.
- ALL LEVELS ARE IN METRES ABOVE NATIONAL ORDNANCE DATUM. ALL LEVELS ARE IN METRES ABOVE NATIONAL ORDNANCE DATUM.

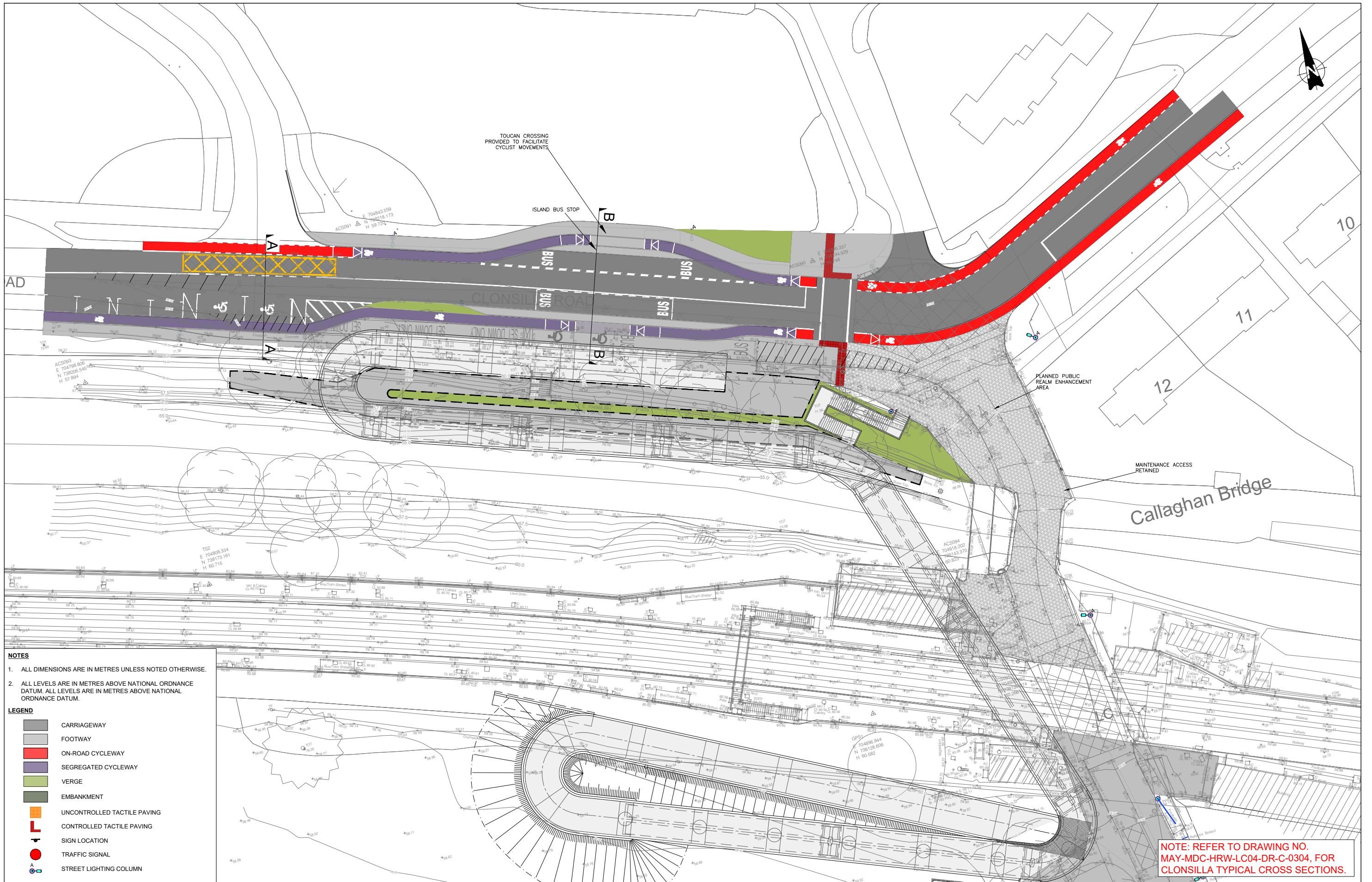
**LEGEND**

- CARRIAGEWAY
- FOOTWAY
- ON-ROAD CYCLEWAY
- SEGREGATED CYCLEWAY
- VERGE
- EMBANKMENT
- UNCONTROLLED TACTILE PAVING
- CONTROLLED TACTILE PAVING
- SIGN LOCATION
- TRAFFIC SIGNAL
- STREET LIGHTING COLUMN

**NOTE: REFER TO DRAWING NO. MAY-MDC-HRW-LC04-DR-C-0304, FOR CLONSILLA TYPICAL CROSS SECTIONS.**

Client								
Consultant								
Project								
Drawing Title	ROADWORKS DESIGN - LC04: CLONSILLA GENERAL ARRANGEMENT SHEET LAYOUT							
Scale:	1:250 @ A1 1:500 @ A3							
Drawing Number	Project	Originator	Discipline	Location	Type	Role	Number	Phase
MAY	MDC	HRW	LC04	DR	C	0100	D	
Date:	Job No:	Status:	Rev:					
April 2022	P/101086	F1 - Approved & Accepted	V 01	Sheet: 01 of 01				

© Irish Rail (2021). This drawing is confidential and the copyright in it is owned by Irish Rail. This drawing must not be either loaned, copied or otherwise reproduced in whole or in part or used for any purpose without the prior permission of Irish Rail.  
© Ordnance Survey Ireland and Government of Ireland. All O.S. data used for plans are printed under "Copyright Ordnance Survey Ireland".  
Survey No: 609721 (OS) Aerial Data or OS Laser Data & Survey No: 202105/JMA, 190 (OS) Vector Data.  
All elevations are in metres and relate to OSi Geoid Model (OSGM02) Mean Head as defined by existing Project Contract.  
All coordinates are in Irish Transverse Mercator Grid (ITM) as defined by OSi active GPS station Tallaght College (TLG).



- NOTES**
- ALL DIMENSIONS ARE IN METRES UNLESS NOTED OTHERWISE.
  - ALL LEVELS ARE IN METRES ABOVE NATIONAL ORDNANCE DATUM. ALL LEVELS ARE IN METRES ABOVE NATIONAL ORDNANCE DATUM.
- LEGEND**
- CARRIAGEWAY
  - FOOTWAY
  - ON-ROAD CYCLEWAY
  - SEGREGATED CYCLEWAY
  - VERGE
  - EMBANKMENT
  - UNCONTROLLED TACTILE PAVING
  - CONTROLLED TACTILE PAVING
  - SIGN LOCATION
  - TRAFFIC SIGNAL
  - STREET LIGHTING COLUMN

**NOTE: REFER TO DRAWING NO. MAY-MDC-HRW-LC04-DR-C-0304, FOR CLONSILLA TYPICAL CROSS SECTIONS.**

Client	Tionscald Éireann Project Ireland 2040
Consultant	IDOM
Project	DART+ West
Drawing Title	ROADWORKS DESIGN - LC04: CLONSILLA GENERAL ARRANGEMENT SHEET 1 OF 2
Scale:	1:250 @ A1 1:500 @ A3
Drawing Number	MAY MDC HRW LC04 DR C 0101 D
Date:	April 2022
Job No:	P/101086
Status:	F1 - Approved & Accepted
Rev:	V 01
Sheet:	01 of 02

Client: Tionscald Éireann Project Ireland 2040

Consultant: IDOM

Project: DART+ West

Drawing Title: ROADWORKS DESIGN - LC04: CLONSILLA GENERAL ARRANGEMENT SHEET 1 OF 2

Scale: 1:250 @ A1 1:500 @ A3

Drawing Number: MAY MDC HRW LC04 DR C 0101 D

Date: April 2022

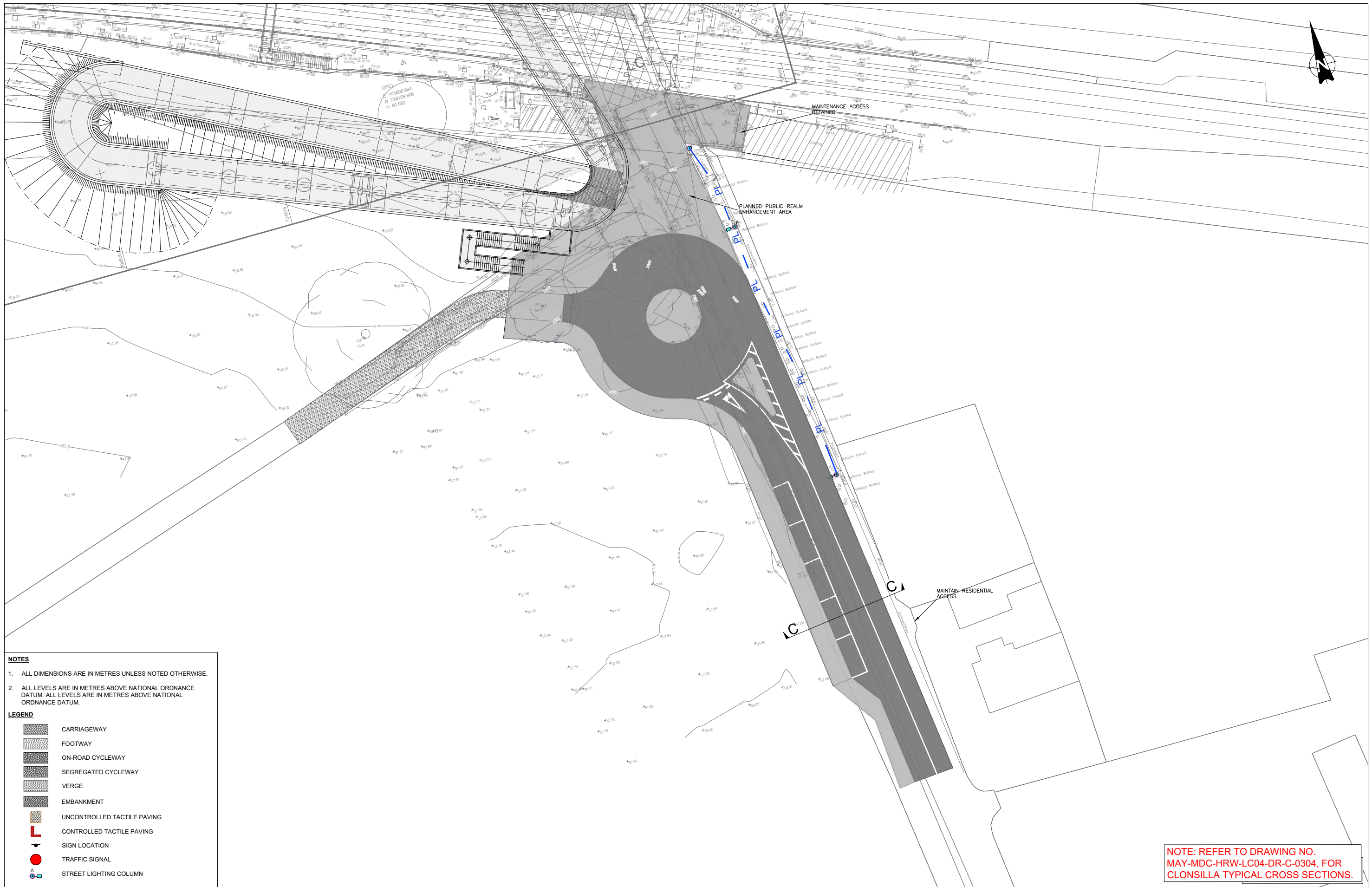
Job No: P/101086

Status: F1 - Approved & Accepted

Rev: V 01

Sheet: 01 of 02

© Irish Rail (2021). This drawing is confidential and the copyright in it is owned by Irish Rail. This drawing must not be either loaned, copied or otherwise reproduced in whole or in part or used for any purpose without the prior permission of Irish Rail.  
 © Ordnance Survey Ireland and Government of Ireland. All O.S. data used for plans are printed under "Copyright Ordnance Survey Ireland".  
 Survey No: 8839721 (OS) Aerial Data or OS Laser Data & Survey No: 2821056, NMA, 180 (OS) Vector Data.  
 All elevations are in metres and relate to OSi Geoid Model (OSGM02) Mean Head as defined by existing Project Control.  
 All Co-ordinates are in Irish Transverse Mercator Grid (ITM) as defined by OSi active GPS station Tallaght College (TLLG).



**NOTES**

- ALL DIMENSIONS ARE IN METRES UNLESS NOTED OTHERWISE.
- ALL LEVELS ARE IN METRES ABOVE NATIONAL ORDNANCE DATUM. ALL LEVELS ARE IN METRES ABOVE NATIONAL ORDNANCE DATUM.

**LEGEND**

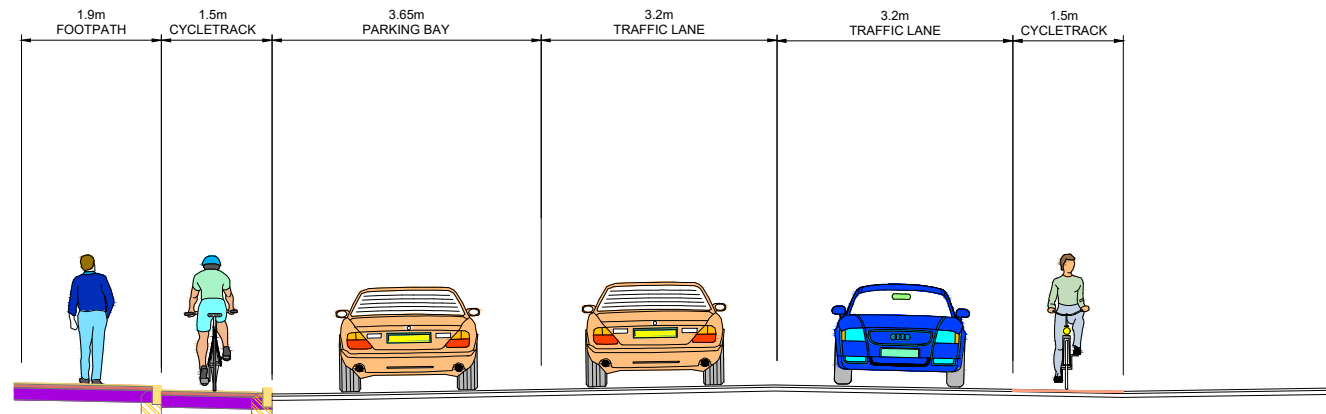
- CARRIAGEWAY
- FOOTWAY
- ON-ROAD CYCLEWAY
- SEGREGATED CYCLEWAY
- VERGE
- EMBANKMENT
- UNCONTROLLED TACTILE PAVING
- CONTROLLED TACTILE PAVING
- SIGN LOCATION
- TRAFFIC SIGNAL
- STREET LIGHTING COLUMN

**NOTE: REFER TO DRAWING NO. MAY-MDC-HRW-LC04-DR-C-0304, FOR CLONSILLA TYPICAL CROSS SECTIONS.**

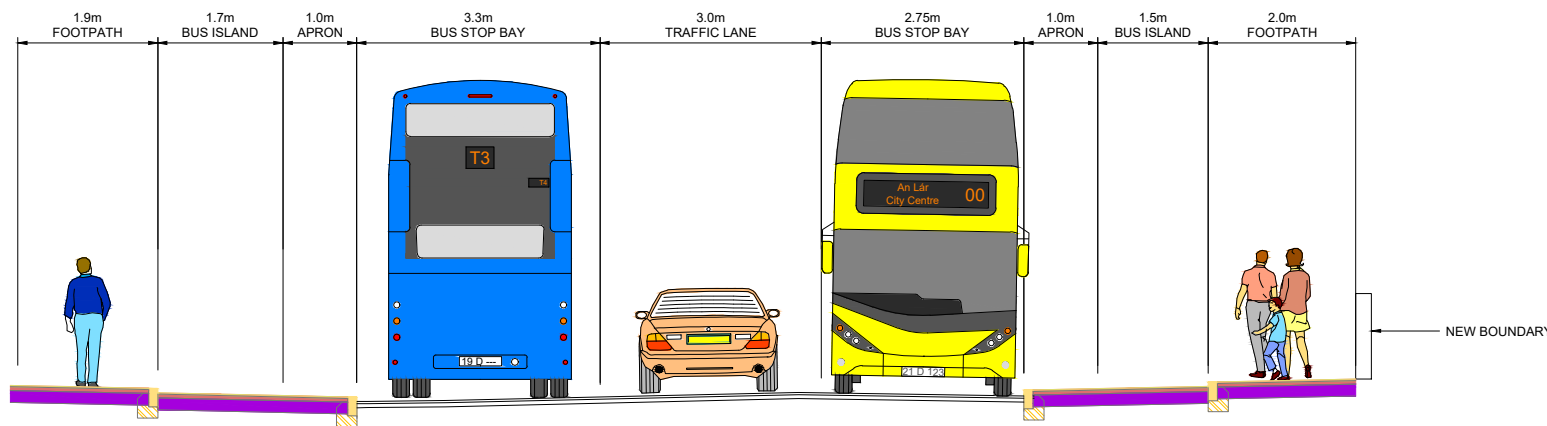
Client	Tionscadal Éireann Project Ireland 2040	NTA Údarás Náisiúnta Iompartha National Transport Authority	lanród Éireann Irish Rail					
Consultant	IDOM	ROD R. O'DONOVAN						
Project	DART+ West							
Drawing Title	ROADWORKS DESIGN - LC04: CLONSILLA GENERAL ARRANGEMENT SHEET 2 OF 2							
Scale:	1:250 @ A1 1:500 @ A3							
Drawing Number	Project	Originator	Discipline	Location	Type	Role	Number	Phase
V 01	April 2022	JMC	TL	MK			0102	D
REV.	DATE	DESCRIPTION	PRODUCED BY	REVIEWED BY	APPROVED BY			

© Irish Rail (2021). This drawing is confidential and the copyright in it is owned by Irish Rail. This drawing must not be either loaned, copied or otherwise reproduced in whole or in part or used for any purpose without the prior permission of Irish Rail.  
 © Ordnance Survey Ireland and Government of Ireland. All O.S. data used for plans are printed under "Copyright Ordnance Survey Ireland".  
 Survey No. 6039721 (OSi Aerial Data or OSi Laser Data) & Survey No. 202105B\_NIMA\_185 (OSi Vector Data).  
 All elevations are in metres and relate to OSi Geoid Model (OSiGM02) Mean Height as defined by existing Project Control.  
 All Co-ordinates are in Irish Transverse Mercator Grid (ITM) as defined by OSi active GPS station TaighT Colpa (TLG).

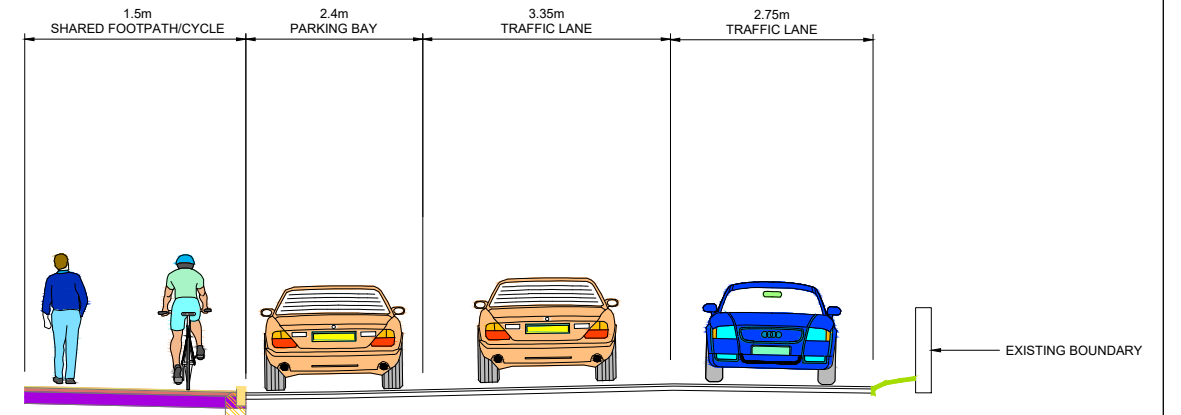
Date:	Job No:	Status:	Rev:	Sheet:
April 2022	P/101086	F1 - Approved & Accepted	V 01	02 of 02



TYPICAL CROSS SECTION B-B  
 CLONSILLA STATION (R121)  
 LOCATED ON GA SHEET 01  
 DRAWING REF: MAY-MDC-HRW-LC04-DR-C-0100



TYPICAL CROSS SECTION A-A  
 CLONSILLA STATION (R121)  
 LOCATED ON GA SHEET 01  
 DRAWING REF: MAY-MDC-HRW-LC04-DR-C-0100

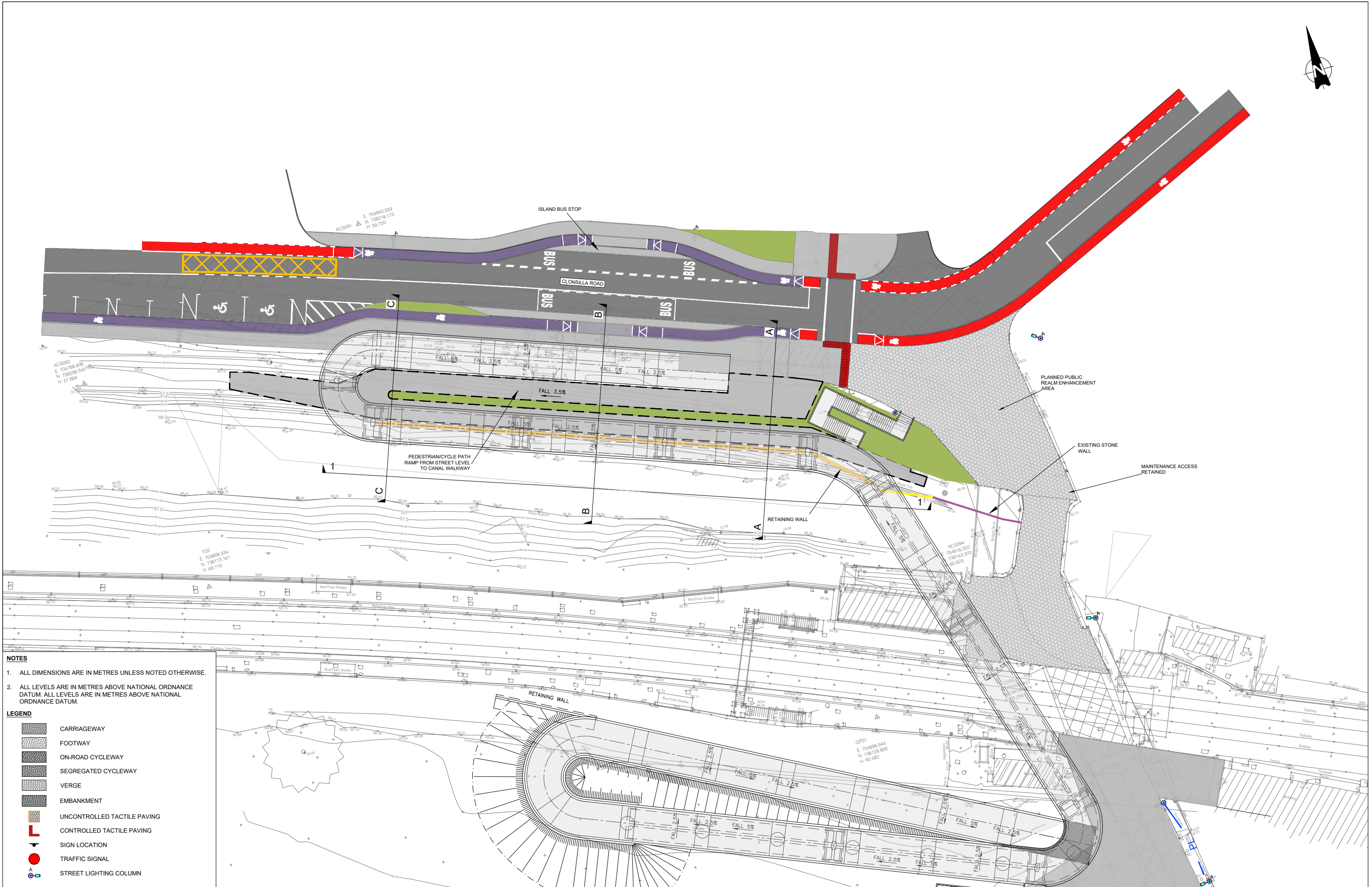


TYPICAL CROSS SECTION C-C  
 CLONSILLA STATION (R121)  
 LOCATED ON GA SHEET 01  
 DRAWING REF: MAY-MDC-HRW-LC04-DR-C-0100

**NOTES:**

- FOR SECTION LOCATIONS SEE DRAWING: MAY-MDC-HRW-LC04-DR-C-0100
- THE BOUNDARY TREATMENT SHOWN IS INDICATIVE ONLY.
- THE PROPOSED PAVEMENT CONSTRUCTION IS INDICATIVE ONLY.

<table border="1"> <tr> <td>V 01</td> <td>April 2022</td> <td>PLANNING ISSUE</td> <td>KH</td> <td>TL</td> <td>MK</td> </tr> <tr> <td>REV.</td> <td>DATE</td> <td>DESCRIPTION</td> <td>PRODUCED BY</td> <td>REVIEWED BY</td> <td>APPROVED BY</td> </tr> </table>			V 01	April 2022	PLANNING ISSUE	KH	TL	MK	REV.	DATE	DESCRIPTION	PRODUCED BY	REVIEWED BY	APPROVED BY	<p>Client</p>	<p>Project</p>	<p>Drawing Title</p> <p>ROADWORKS DESIGN - LC04: CLONSILLA          CLONSILLA ROAD JUNCTION - CROSS SECTIONS          SHEET 01 of 01</p>
V 01	April 2022	PLANNING ISSUE	KH	TL	MK												
REV.	DATE	DESCRIPTION	PRODUCED BY	REVIEWED BY	APPROVED BY												
<p>Consultant</p>			<p>Scale:</p> <p>1:50 @ A1 1:100 @ A3</p>	<p>Drawing Number   Project   Originator   Discipline   Location   Type   Role   Number   Phase</p> <p>MAY MDC HRW LC04 DR C 0115 D</p>													
<p>© Irish Rail (2021). This drawing is confidential and the copyright in it is owned by Irish Rail. This drawing must not be either loaned, copied or otherwise reproduced in whole or in part or used for any purpose without the prior permission of Irish Rail.</p> <p>© Ordnance Survey Ireland and Government of Ireland. All O.S. data used for plans are printed under "Copyright Ordnance Survey Ireland".          Survey No: 603721 (OS Aerial Data or OS Laser Data) &amp; Survey No: 8021056_NMA_180 (OS Vector Data).</p> <p>All elevations are in metres and relate to DSI Geoid Model (OSGM02) Mean Head as defined by existing Project Control.</p> <p>All Co-ordinates are in Irish Transverse Mercator Grid (ITM) as defined by OSI active GPS station Tallaght College (TLLG).</p>			<p>Date:</p> <p>April 2022</p>	<p>Job No:</p> <p>P/101086</p>	<p>Status:</p> <p>F1 - Approved &amp; Accepted</p>	<p>Rev:</p> <p>V 01</p>	<p>Sheet: 01 of 01</p>										



- NOTES**
1. ALL DIMENSIONS ARE IN METRES UNLESS NOTED OTHERWISE.
  2. ALL LEVELS ARE IN METRES ABOVE NATIONAL ORDNANCE DATUM. ALL LEVELS ARE IN METRES ABOVE NATIONAL ORDNANCE DATUM.

- LEGEND**
- CARRIAGEWAY
  - FOOTWAY
  - ON-ROAD CYCLEWAY
  - SEGREGATED CYCLEWAY
  - VERGE
  - EMBANKMENT
  - UNCONTROLLED TACTILE PAVING
  - CONTROLLED TACTILE PAVING
  - SIGN LOCATION
  - TRAFFIC SIGNAL
  - STREET LIGHTING COLUMN

REV.	DATE	DESCRIPTION	KH	TL	MK
V 01	April 2022	PLANNING ISSUE			

PRODUCED BY: KH TL MK  
 REVIEWED BY: [ ]  
 APPROVED BY: [ ]

© Irish Rail (2021). This drawing is confidential and the copyright in it is owned by Irish Rail. This drawing must not be either loaned, copied or otherwise reproduced in whole or in part or used for any purpose without the prior permission of Irish Rail.  
 © Ordnance Survey Ireland and Government of Ireland. All O.S. data used for plans are printed under "Copyright Ordnance Survey Ireland".  
 Survey No. 0039721 (OS Aerial Data or OS Laser Data) & Survey No. 2021-061, MMA, 180 (OS Vector Data).  
 All elevations are in metres and relate to OSi Geoid Model (OSGM02) Mean Head as defined by existing Project Control.  
 All Co-ordinates are in Irish Transverse Mercator Grid (ITM) as defined by OSi active GPS station Tallaght College (TLLO).

Client

Project

Consultant

Drawing Title

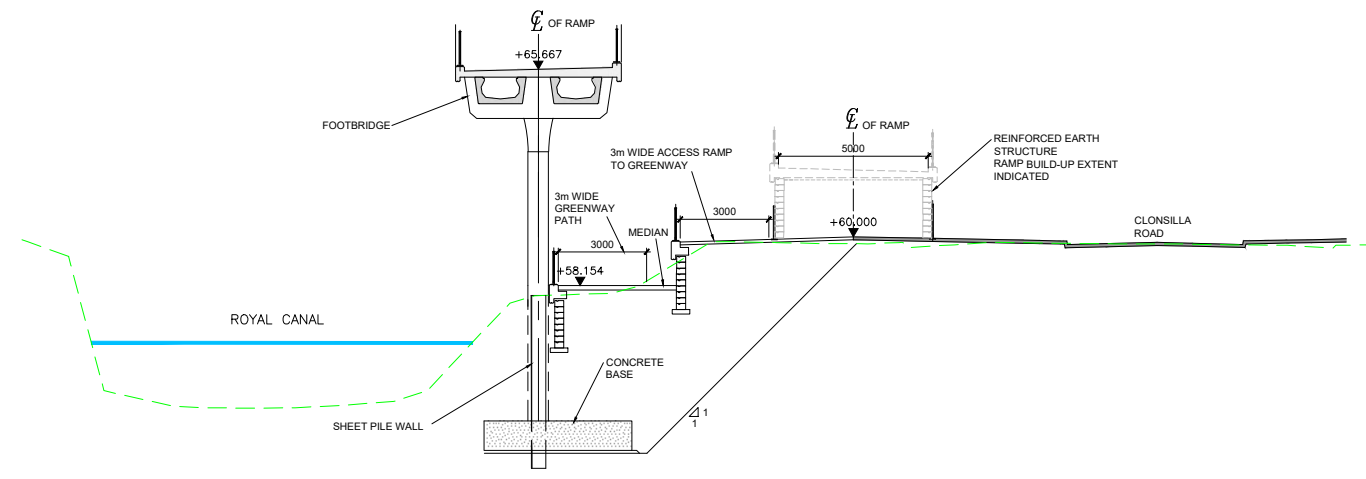
**ROADWORKS DESIGN - LC04: CLONSILLA**  
**PLAN, ELEVATION & SECTIONS (FOOTBRIDGE & GREENWAY)**  
**SHEET 1 OF 3**

Scale: 1:250 @ A1 1:500 @ A3

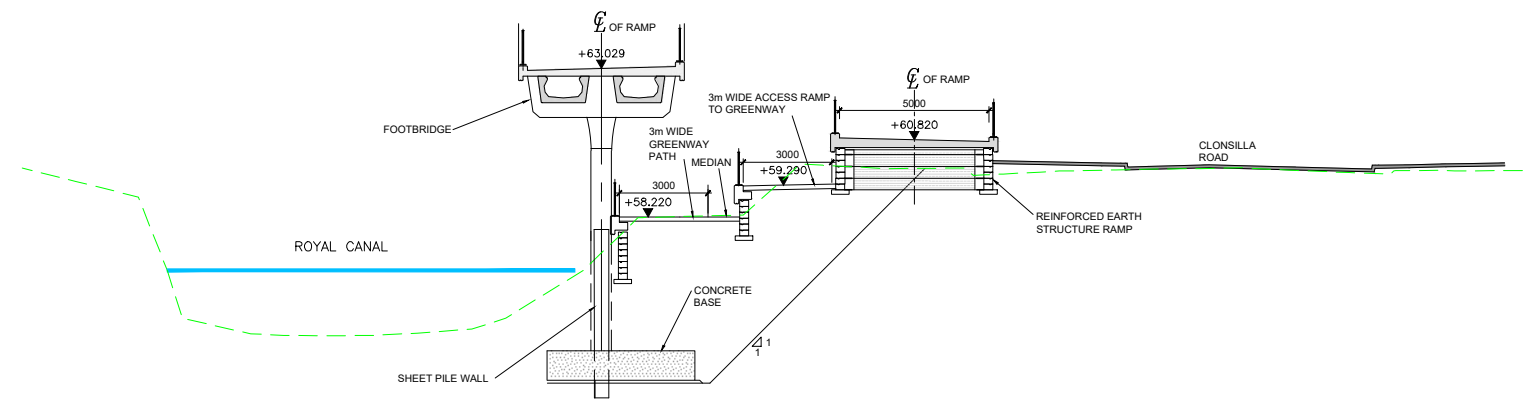
Drawing Number	Project	Originator	Discipline	Location	Type	Role	Number	Phase
MAY	MDC	HRW	LC04	DR	C	0116	D	

Date:	Job No.:	Status:	Rev.:
April 2022	P/101086	F1 - Approved & Accepted	V 01

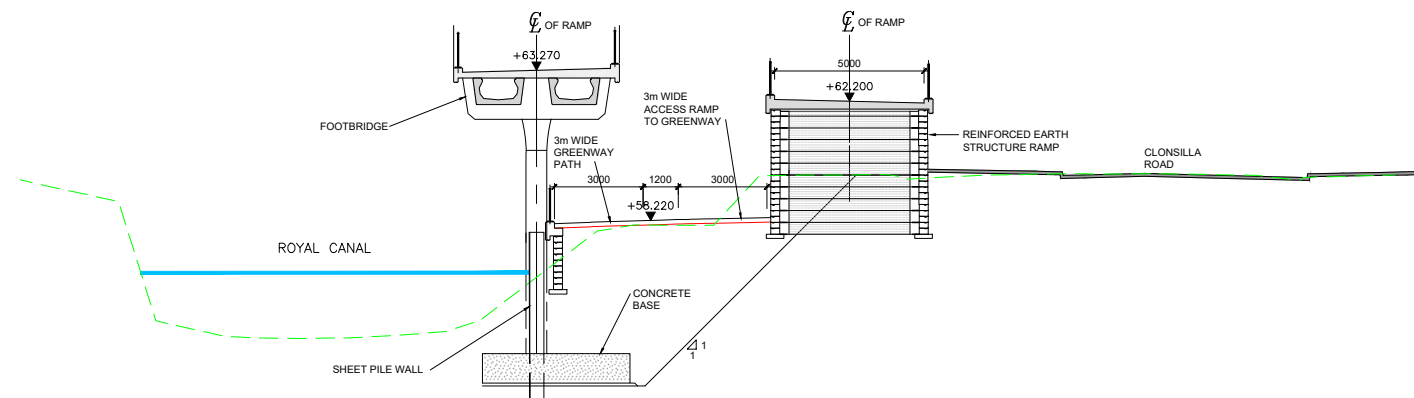
Sheet: 01 of 03



SECTION A-A  
SCALE 1:125



SECTION B-B  
SCALE 1:125



SECTION C-C  
SCALE 1:125

**NOTES**

1. ALL DIMENSIONS ARE IN METRES UNLESS NOTED OTHERWISE.
2. ALL LEVELS ARE IN METRES ABOVE NATIONAL ORDNANCE DATUM. ALL LEVELS ARE IN METRES ABOVE NATIONAL ORDNANCE DATUM.

Client	Tionscail Éireann Project Ireland 2040			NTA Údarás Náisiúnta Iomparáil National Transport Authority			Iarnród Éireann Irish Rail							
Consultant	IDOM			G3			I-ROD RODRIHAN & O'DONOVAN							
Project	DART+ West													
Drawing Title	ROADWORKS DESIGN - LC04: CLONSILLA PLAN, ELEVATION & SECTIONS (FOOTBRIDGE & GREENWAY) SHEET 2 OF 3													
Scale:	1:125 @ A1 1:250 @ A3			Drawing Number			Project   Originator   Discipline   Location   Type   Role   Number   Phase							
REV.	DATE	DESCRIPTION	KH	TL	MK	MAY	MDC	HRW	LC04	DR	C	0117	D	
© Irish Rail (2021). This drawing is confidential and the copyright in it is owned by Irish Rail. This drawing must not be either loaned, copied or otherwise reproduced in whole or in part or used for any purpose without the prior permission of Irish Rail.						Date:			Job No:			Status:		
© Ordnance Survey Ireland and Government of Ireland. All O.S. data used for plans are printed under "Copyright Ordnance Survey Ireland" Survey No. 6029721 (OSi Aerial Data or OSi Laser Data) & Survey No. 202105B_NIMA_180 (OSi Vector Data).						April 2022			P/101086			F1 - Approved & Accepted		
All elevations are in metres and relate to OSi Geoid Model (OSGM02) Mean Height as defined by existing Project Control.						0			1.562			3.125		
All Co-ordinates are in Irish Transverse Mercator Grid (ITM) as defined by OSi active GPS station Tallaght College (TLG).						6.25			Rev:			V 01		
						Sheet:			02 of 03					

Client: Tionscail Éireann Project Ireland 2040, NTA, Iarnród Éireann Irish Rail

Project: DART+ West

Drawing Title: ROADWORKS DESIGN - LC04: CLONSILLA PLAN, ELEVATION & SECTIONS (FOOTBRIDGE & GREENWAY) SHEET 2 OF 3

Scale: 1:125 @ A1 1:250 @ A3

Drawing Number: MAY MDC HRW LC04 DR C 0117 D

Date: April 2022

Job No: P/101086

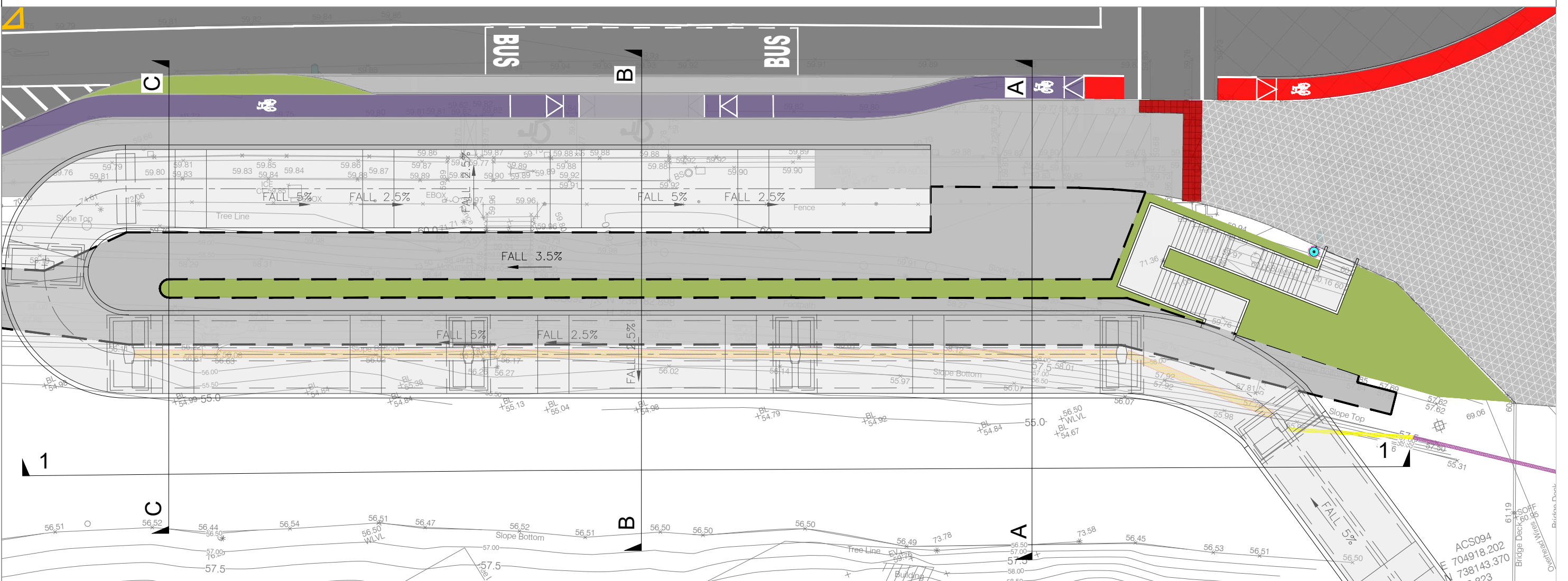
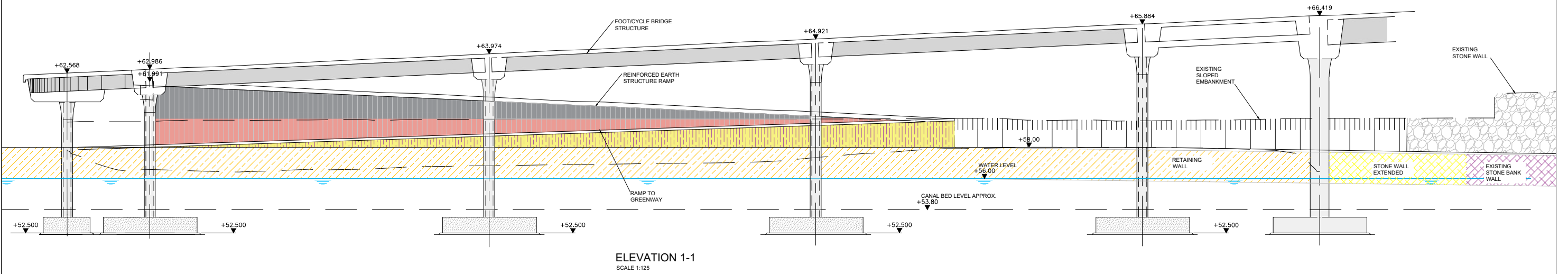
Status: F1 - Approved & Accepted

Rev: V 01

Sheet: 02 of 03

**NOTES**

1. ALL DIMENSIONS ARE IN METRES UNLESS NOTED OTHERWISE.
2. ALL LEVELS ARE IN METRES ABOVE NATIONAL ORDNANCE DATUM. ALL LEVELS ARE IN METRES ABOVE NATIONAL ORDNANCE DATUM.



REV.	DATE	PLANNING ISSUE DESCRIPTION	KH	TL	MK
V 01	April 2022	PLANNING ISSUE			

PRODUCED BY REVIEWED BY APPROVED BY

Client: **Tionscail Eireann Project Ireland 2040**, **NTA** (National Transport Authority), **Iarnród Éireann Irish Rail**

Consultant: **IDOM**, **G3**, **IROD** (Roughan & O'Donovan)

Project: **DART+ West**

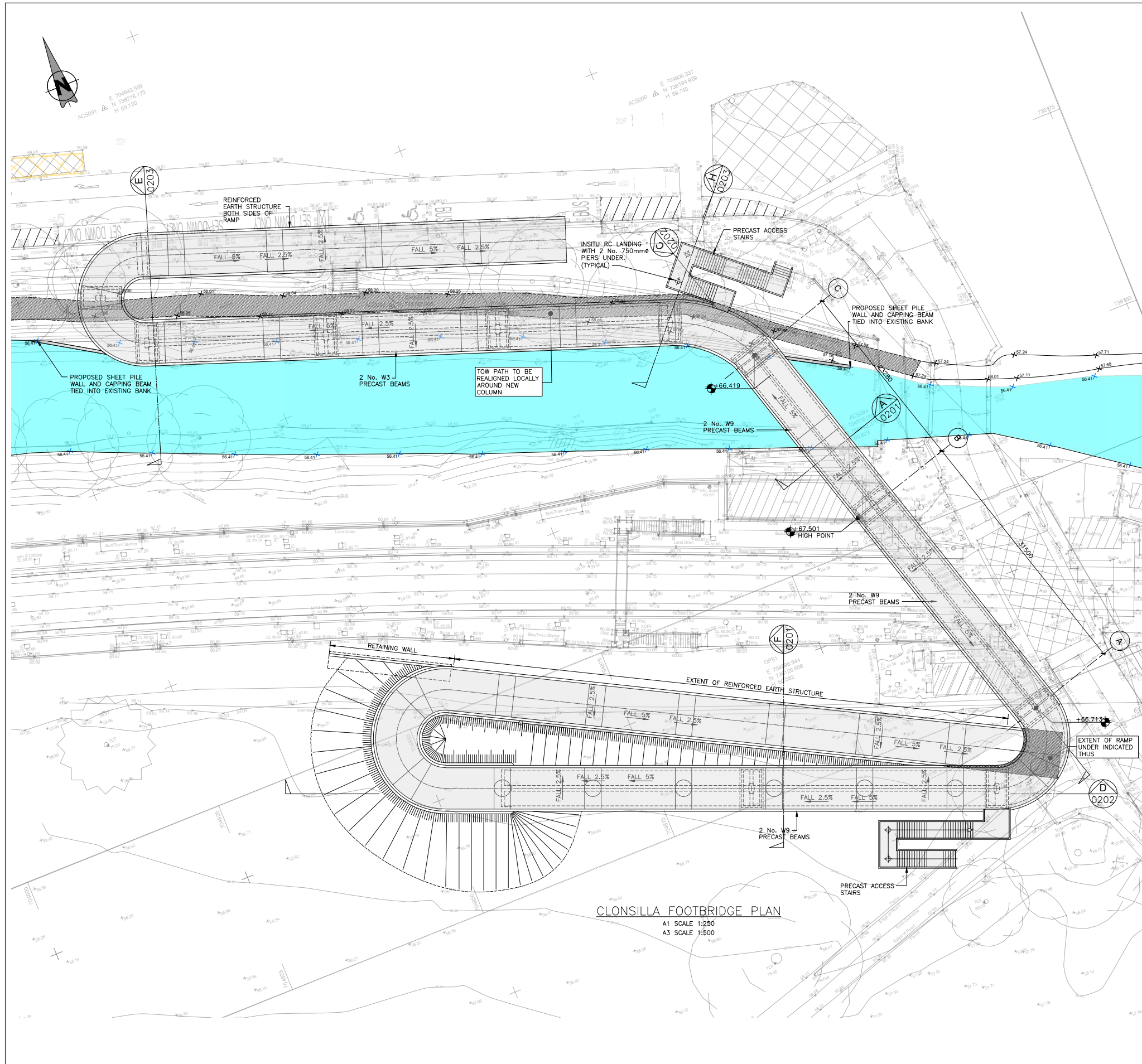
Drawing Title: **ROADWORKS DESIGN - LC04: CLONSILLA PLAN, ELEVATION & SECTIONS (FOOTBRIDGE & GREENWAY) SHEET 3 OF 3**

Scale: 1:125 @ A1 1:250 @ A3

Drawing Number: **MAY MDC HRW LC04 DR C 0118 D**

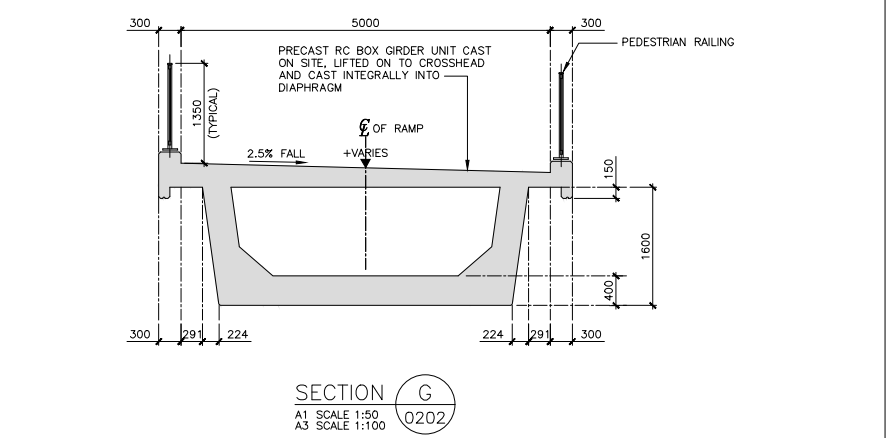
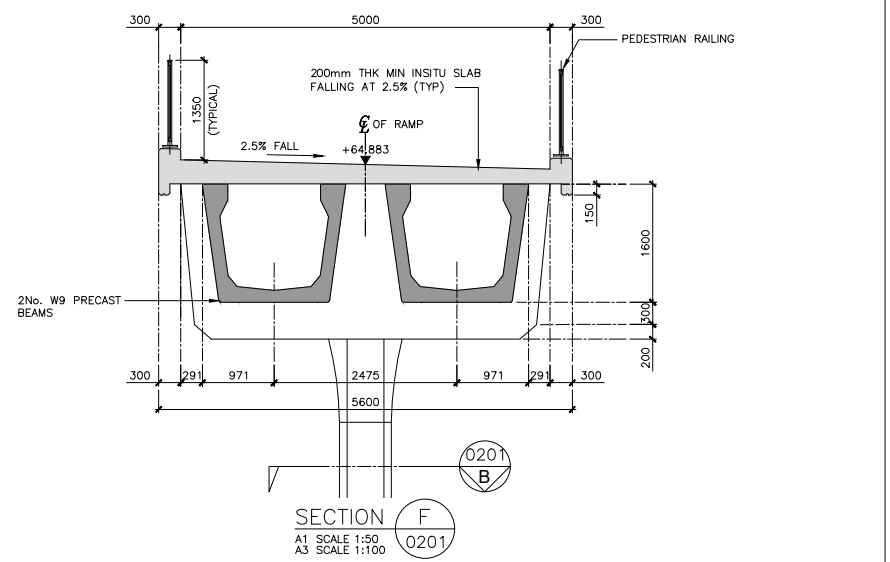
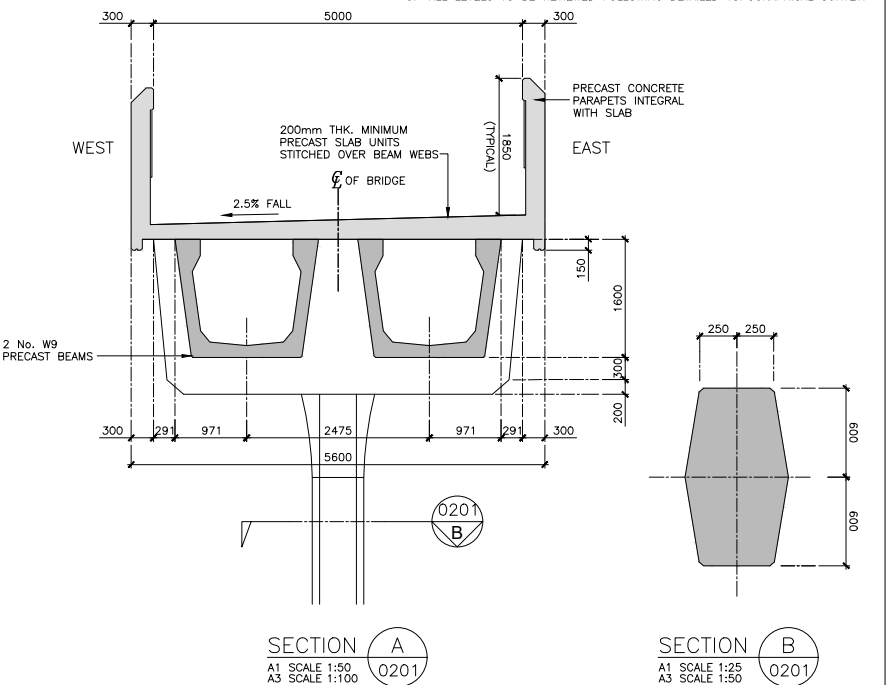
Date: April 2022 | Job No: P/101086 | Status: F1 - Approved & Accepted | Rev: V 01 | Sheet: 03 of 03

© Irish Rail (2021). This drawing is confidential and the copyright in it is owned by Irish Rail. This drawing must not be either based, copied or otherwise reproduced in whole or in part or used for any purpose without the prior permission of Irish Rail.  
 © Ordnance Survey Ireland and Government of Ireland. All O.S. data used for plans are printed under "Copyright Ordnance Survey Ireland" Survey No. 669721 (OSI Aerial Data or OSi Lidar Data) & Survey No. 2021-081\_NMA\_180 (OSi Vector Data).  
 All elevations are in metres and relate to OSi Geoid Model (OSG2015). Mean Head as defined by existing Project Control.  
 All Co-ordinates are in Irish Transverse Mercator Grid (ITM) as defined by OSi active GPS station Taighn Colla (TLL0).



CLONSILLA FOOTBRIDGE PLAN  
 A1 SCALE 1:250  
 A3 SCALE 1:500

- NOTES:
1. ALL DIMENSIONS IN MILLIMETERS, UNLESS OTHERWISE NOTED.
  2. ALL LEVELS ARE IN METRES TO ORDNANCE DATUM MALIN HEAD.
  3. ALL CO-ORDINATES ARE IN METRES TO IRISH TRANSVERSE MERCATOR (ITM).
  4. FINAL FOUNDATION DESIGN TO BE CONFIRMED FOLLOWING DETAILED GEOTECHNICAL INVESTIGATION
  5. ALL LEVELS TO BE REVIEWED FOLLOWING DETAILED TOPOGRAPHICAL SURVEY.



Client	Tionscald Éireann Project Ireland 2040	NTA National Transport Authority	Irish Rail
Consultant	IDOM	PROBHAM & O'DONOVAN	
Project	DART+ West		
Drawing Title	STRUCTURES DESIGN - LC04: CLONSILLA PEDESTRIAN, CYCLE AND MOBILITY IMPAIRED BRIDGE GENERAL ARRANGEMENT SHEET 1 of 3		
Scale:	1:250 @ A1 1:500 @ A3		
Drawing Number	Project	Originator	Discipline
MAY	MDC	STR	LC04
DR	C	0201	D
Date:	Job No:	Status:	Rev:
April 2022	P/101086	F1 - Approved & Accepted	V 01
0 3.125 6.25 12.5		Sheet: 1 of 3	

© Irish Rail (2021). This drawing is confidential and the copyright in it is owned by Irish Rail. This drawing must not be either loaned, copied or otherwise reproduced in whole or in part or used for any purpose without the prior permission of Irish Rail.

© Ordnance Survey Ireland and Government of Ireland. All O.S. data used for plans are printed under "Copyright Ordnance Survey Ireland" Survey No. 6039721 (OSI Aerial Data or OSI Lidar Data) & Survey No. 20210201 (NMA, 189 (OSI Vector Data)).

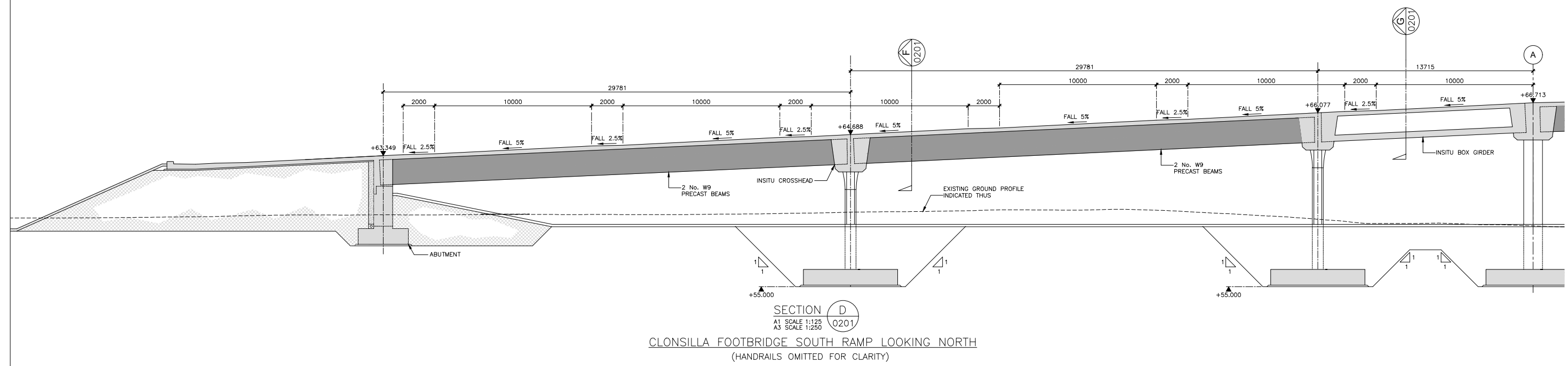
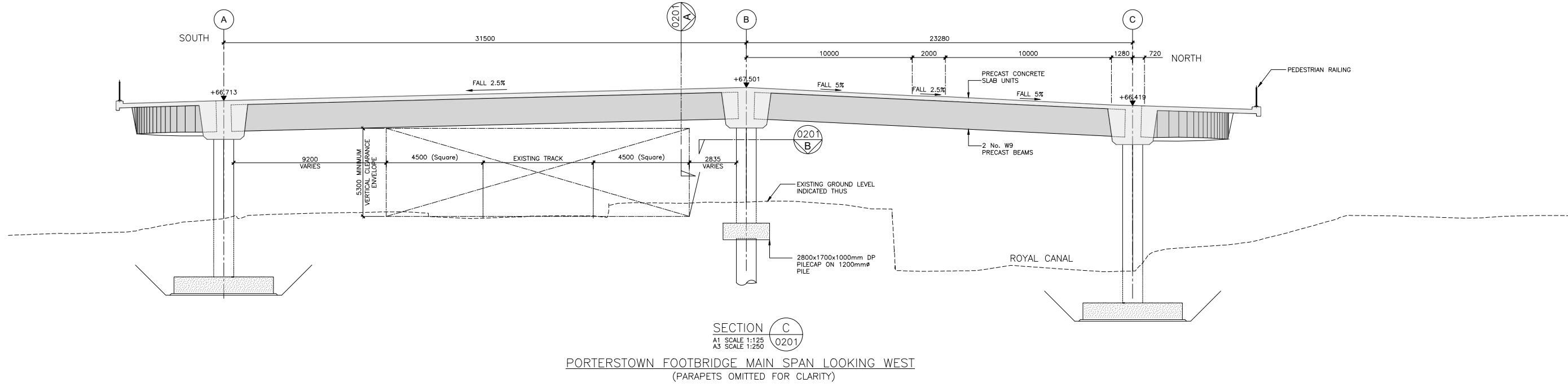
All elevations are in metres and relate to OSi Cloud Model (OSiM02) Mean Head as defined by existing Project Control.

All Coordinates are in Irish Transverse Mercator Grid (ITM) as defined by OSi active GPS station Tallaght College (TLLC).



NOTES:

1. ALL DIMENSIONS IN MILLIMETERS, UNLESS OTHERWISE NOTED.
2. ALL LEVELS ARE IN METRES TO ORDNANCE DATUM MALIN HEAD.
3. ALL CO-ORDINATES ARE IN METRES TO IRISH TRANSVERSE MERCATOR (ITM).
4. FINAL FOUNDATION DESIGN TO BE CONFIRMED FOLLOWING DETAILED GEOTECHNICAL INVESTIGATION
5. ALL LEVELS TO BE REVIEWED FOLLOWING DETAILED TOPOGRAPHICAL SURVEY.



REV	DATE	DESCRIPTION	AR	LC	MK
V 01	April 2022	PLANNING ISSUE			
PRODUCED BY			REVIEWED BY		
APPROVED BY					

© Irish Rail (2021). This drawing is confidential and the copyright in it is owned by Irish Rail. This drawing must not be either loaned, copied or otherwise reproduced in whole or in part or used for any purpose without the prior permission of Irish Rail.  
© Ordnance Survey Ireland and Government of Ireland. All O.S. data used for plans are printed under "Copyright Ordnance Survey Ireland".  
Survey No. 9029721 (OSI Aerial Data or OSi Lidar Data) & Survey No. 20210091\_NWA\_189 (OSi Vector Data).  
All elevations are in metres and relate to OSi Geoid Model (OSGM02) Mean Head as defined by existing Project Control.  
All Co-ordinates are in Irish Transverse Mercator Grid (ITM) as defined by OSi active GPS station Tallaght College (TLG).

Client

Consultant

Project

Drawing Title

STRUCTURES DESIGN - LC04: CLONSILLA PEDESTRIAN, CYCLE AND MOBILITY IMPAIRED BRIDGE GENERAL ARRANGEMENT SHEET 2 of 3

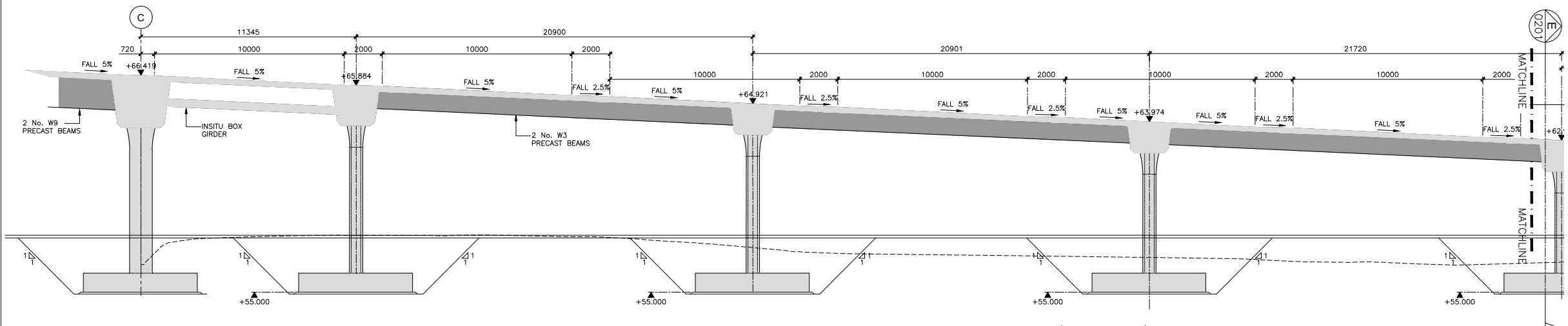
Scale: 1:125 @ A1 1:250 @ A3

Drawing Number | Project | Originator | Discipline | Location | Type | Role | Number | Phase

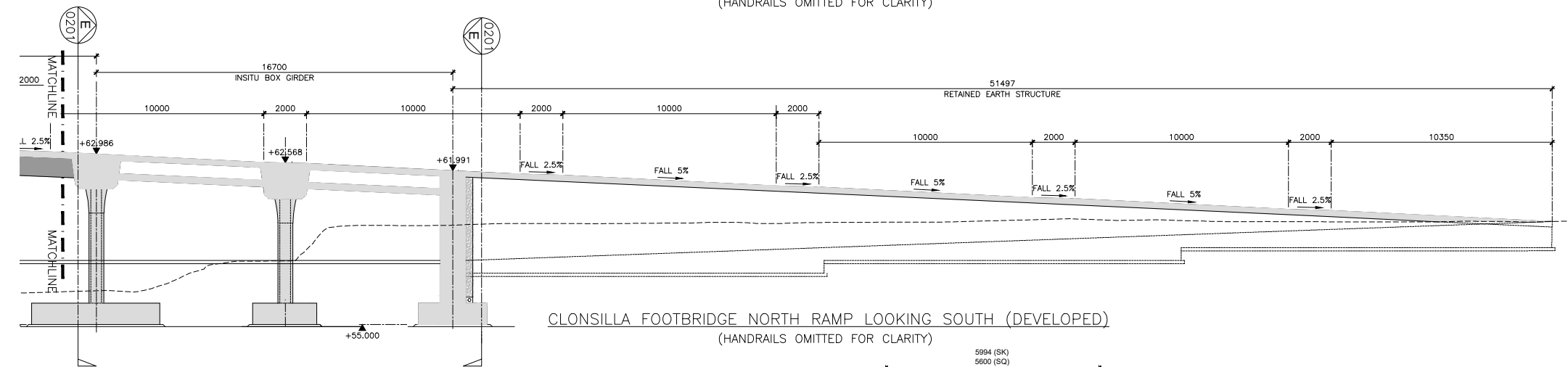
MAY MDC STR LC04 DR C 0202 D

Date: April 2022 Job No: P/101086 Status: F1 - Approved & Accepted Rev: V 01 Sheet: 2 of 3

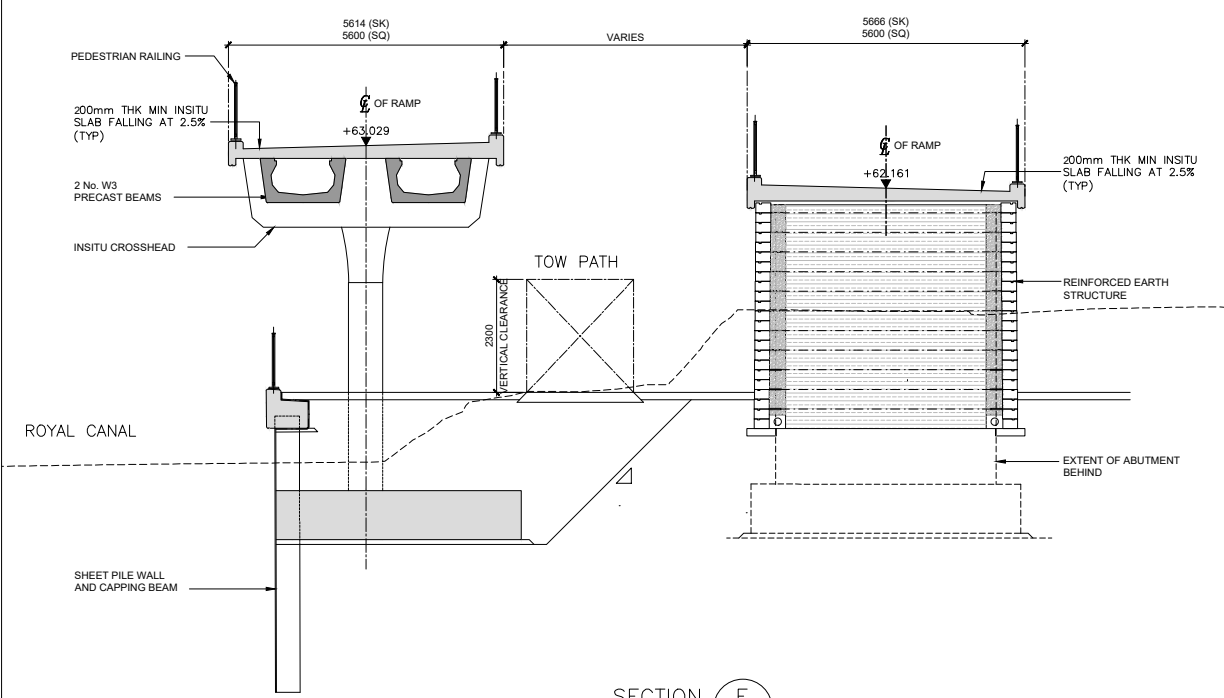
- NOTES:
1. ALL DIMENSIONS IN MILLIMETERS, UNLESS OTHERWISE NOTED.
  2. ALL LEVELS ARE IN METRES TO ORDNANCE DATUM MALIN HEAD.
  3. ALL CO-ORDINATES ARE IN METRES TO IRISH TRANSVERSE MERCATOR (ITM).
  4. FINAL FOUNDATION DESIGN TO BE CONFIRMED FOLLOWING DETAILED GEOTECHNICAL INVESTIGATION
  5. ALL LEVELS TO BE REVIEWED FOLLOWING DETAILED TOPOGRAPHICAL SURVEY.



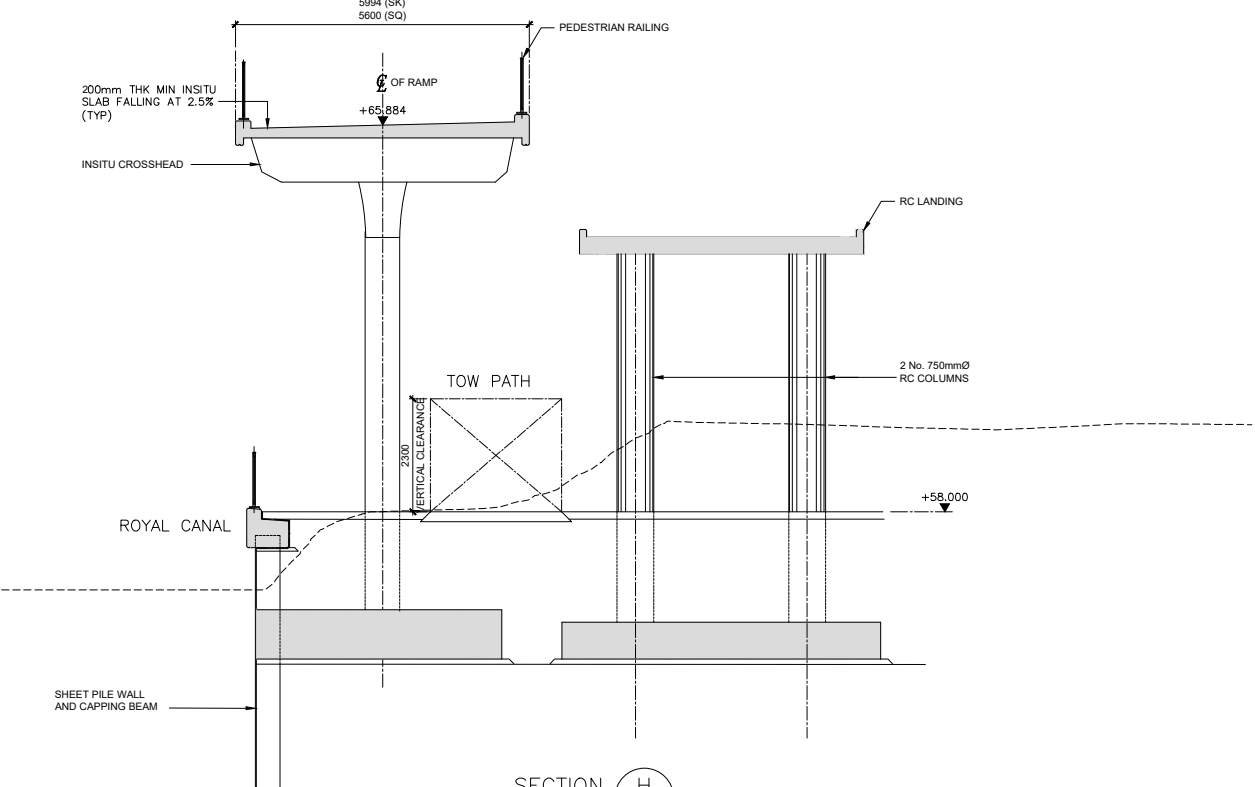
CLONSILLA FOOTBRIDGE NORTH RAMP LOOKING SOUTH (DEVELOPED)  
(HANDRAILS OMITTED FOR CLARITY)



CLONSILLA FOOTBRIDGE NORTH RAMP LOOKING SOUTH (DEVELOPED)  
(HANDRAILS OMITTED FOR CLARITY)



SECTION E  
A1 SCALE 1:75  
A3 SCALE 1:150



SECTION H  
A1 SCALE 1:75  
A3 SCALE 1:150

Client	Tionscadal Éireann Project Ireland 2040	NTA	Iarnród Éireann Irish Rail
Consultant	IDOM	3	JROD
Project	DART+ West		
Drawing Title	STRUCTURES DESIGN - LC04: CLONSILLA PEDESTRIAN, CYCLE AND MOBILITY IMPAIRED BRIDGE GENERAL ARRANGEMENT SHEET 3 of 3		
Scale:	1:125 @ A1 1:250 @ A3		
Drawing Number	Project	Originator	Discipline
MAY	MDC	STR	LC04
DR	C	0203	D
Date:	Job No:	Status:	Rev:
April 2022	P/101086	F1 - Approved & Accepted	V 01
0 1.562 3.25 6.5		Sheet: 3 of 3	

© Irish Rail (2021). This drawing is confidential and the copyright in it is owned by Irish Rail. This drawing must not be either loaned, copied or otherwise reproduced in whole or in part or used for any purpose without the prior permission of Irish Rail.

© Ordnance Survey Ireland and Government of Ireland. All O.S. data used for plans are printed under "Copyright Ordnance Survey Ireland" Survey No. 003972X (OS Aerial Data or OS Lidar Data) & Survey No. 202108\_NMA\_189 (OS Vector Data).

All elevations are in metres and relate to OSi Geoid Model (OSGM02) Malin Head as defined by existing Project Control.

All Co-ordinates are in Irish Transverse Mercator Grid (ITM) as defined by OSi active GPS station Tallaght College (TLLO).